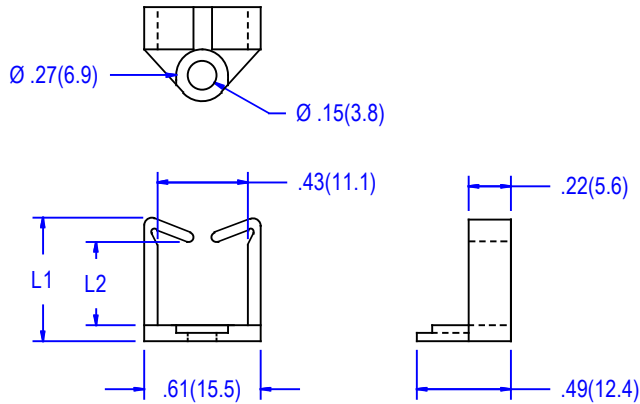


03-01SR Series



ITEM NO.	L1 ± .015 (0.38)		L2 (Reference)	
	In	mm	In	mm
03-01SR-10	.45	11.4	.17	4.3
03-01SR-20	.64	16.3	.36	9.1
03-01SR-30	1.00	25.4	.73	18.5
03-01SR-40	1.31	33.3	1.04	26.4

PACKAGING : 1000 PER BAG

For Panel thickness range	Use AEH Rivet number	Panel Hole Diameter.
.010 - .046 (0.3 - 1.2)	06-01-3535	.142 - .146 (3.6 - 3.7).
.046 - .081 (1.2 - 2.1)	06-01-3545	
.069 - .105 (1.8 - 2.7)	06-01-3550	
.081 - .120 (2.1 - 3)	06-01-3555	
.109 - .144 (2.8 - 3.7)	06-01-3560	
.140 - .180 (3.6 - 4.6)	06-01-3570	
.180 - .219 (4.6 - 5.6)	06-01-3580	

PACKAGING : 1000 PER BAG

MATERIAL	NYLON 66
UL RATING	94V-2
UL FILE NO.	E41938
COLOR	NATURAL
ASTM	D 4066, PA111
RoHS COMPLIANCE	YES
TEMPERATURE RANGE (REF.)	-40 to 185°F (-40 to 85°C)
MR NUMBER	12

CLAMP'S UL 94V-0 MATERIAL AVAILABLE UPON REQUEST.
TO ORDER ADD SUFFIX "X" TO ITEM NUMBER

No	Revision	Date	By	Drawn	F. L.	Date	Title	Issue
				CUSTOMER			03-01SR SERIES . WIRE ROUTER, RIVET MOUNT	O 9-4-14
				VERIFIED			File No. 03-01SR series	
		12-12-12	FL	REVIEWED			ALL ELECTRONICS HARDWARE, INC. 2642 CORPORATE PARKWAY ALGONQUIN, IL. 60102 1-800-778-7234	
				DRAWN	F. L.	09-05-14		